

# BDC1112

---

## Part List

05-01-2008



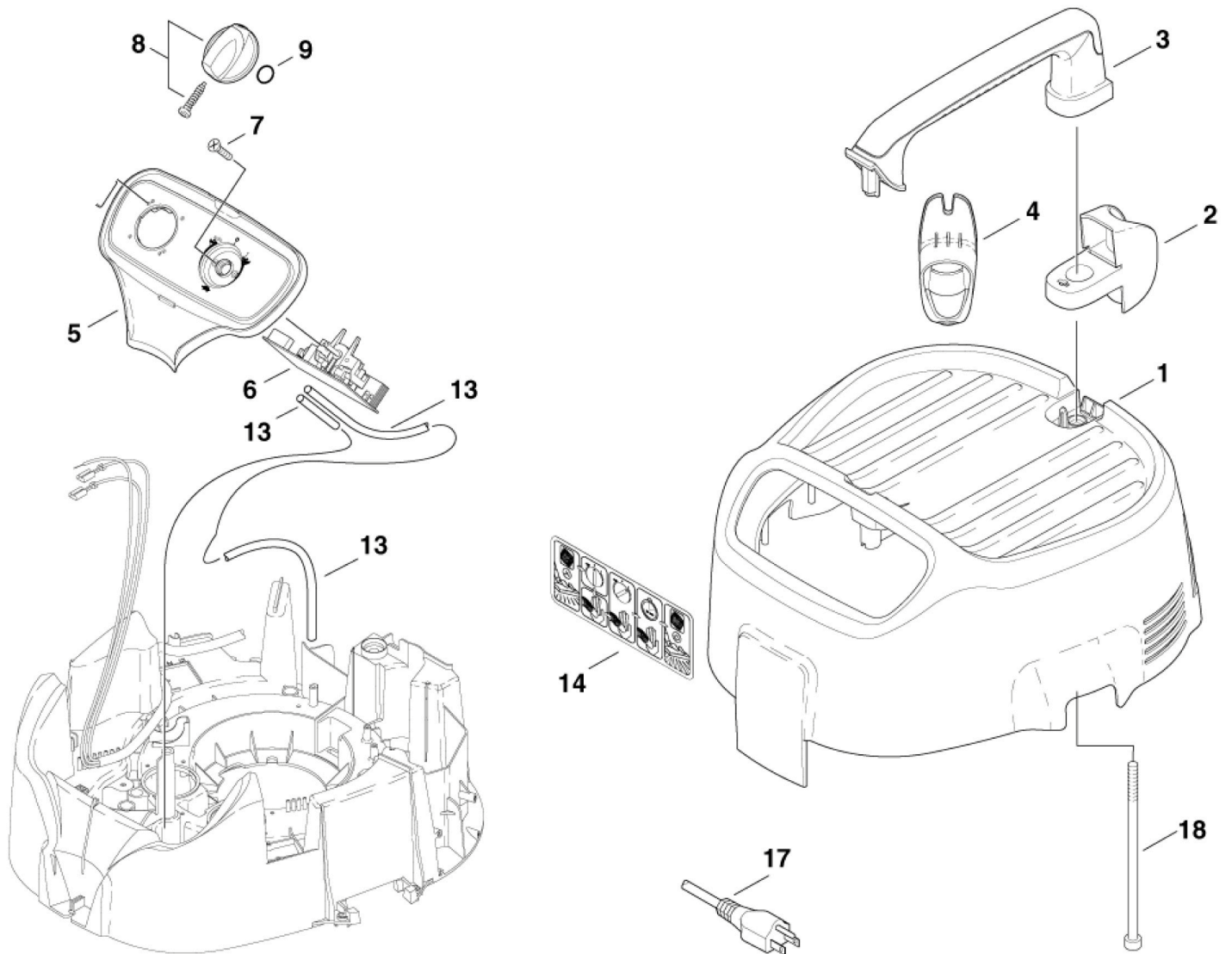
BLASTRAC

The logo for BLASTRAC, featuring a stylized globe icon with horizontal lines on the left, followed by the word "BLASTRAC" in a bold, outlined, sans-serif font.

# Upper Motor Head Assembly

BDC1112

BDC1112



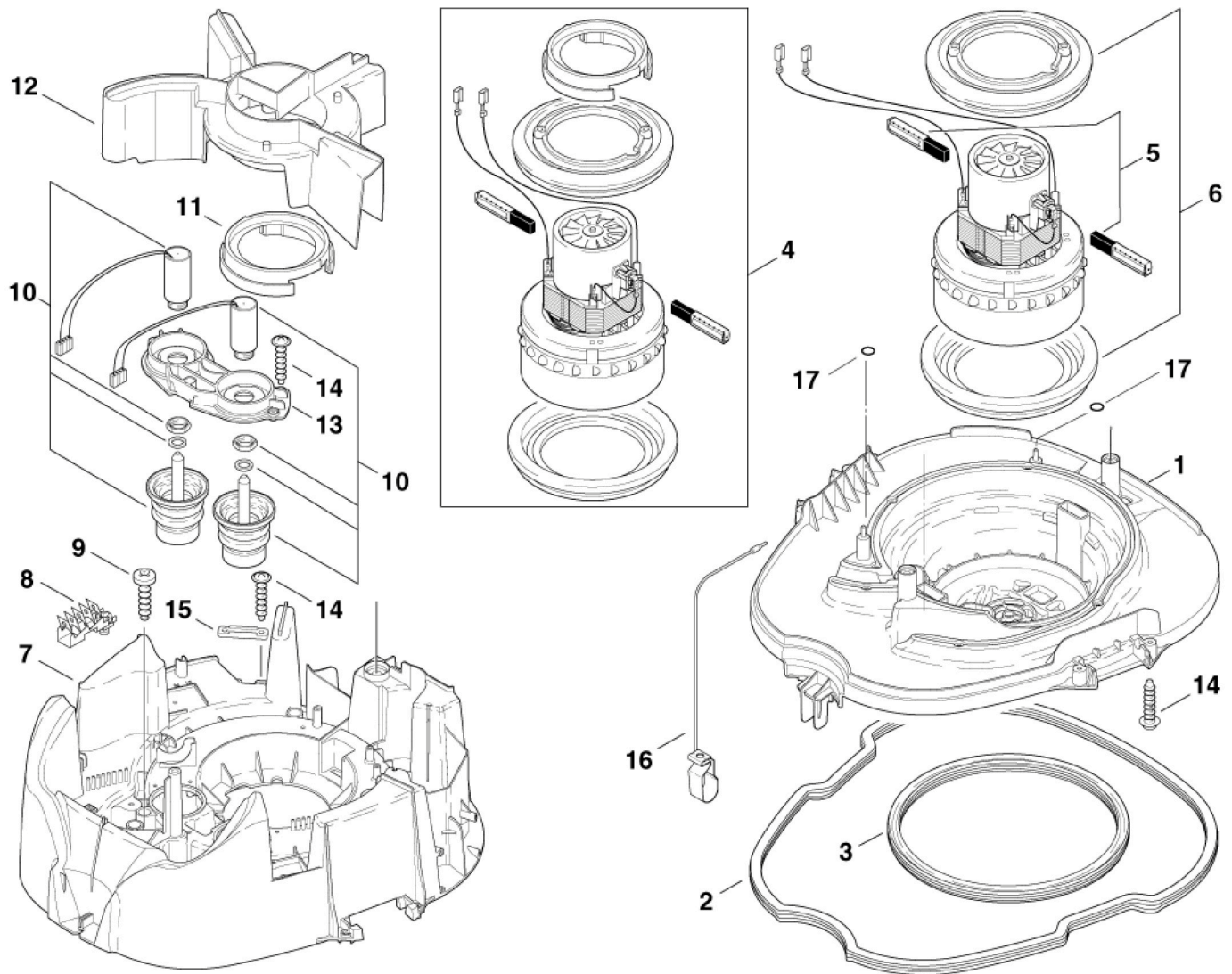
# Upper Motor Head Assembly

BDC1112

Pos	Part no.	Qty	Description	EAN
1	302000703	1	HOOD W. SOUNDPROOFING	4005337690
2	302000382	1	TUBE FASTENER	560-21XC, 12GALL.RDFD 4005337674
3	302000638	1	HANDLE	4005337687
4	302000380	1	CABLE HOOK	4005337674
5	302000757	1	SWITCH BOX	4005337020
6	302000852	1	ELECTRONICS SET 120V	100-120V 4005337028
6	302000853	1	ELECTRONICS 230V SET	220-240V 4005337028
7	18274	2	COUNTERSUNK SCREW	4005337182
8	909100204	1	ROTARY KNOB	4005337689
9	9868	1	O RING	4005337098
13	11379	1	HOSE DN 3 X 1.5	PLEASE INDICATE LENGTHS IN METRES WHEN ORDERING 4005337113
14	302000824	1	LABEL "TOTAL CLEAN" 160X6	4005337028
17	302000442	1	POWER CORD SJTW-A AWG14/3X8,2 NEMA -US	*US* 4005337681
18	909100084	2	SCREW M6X140	4005337679

# Bottom Motor Head Assembly

BDC1112



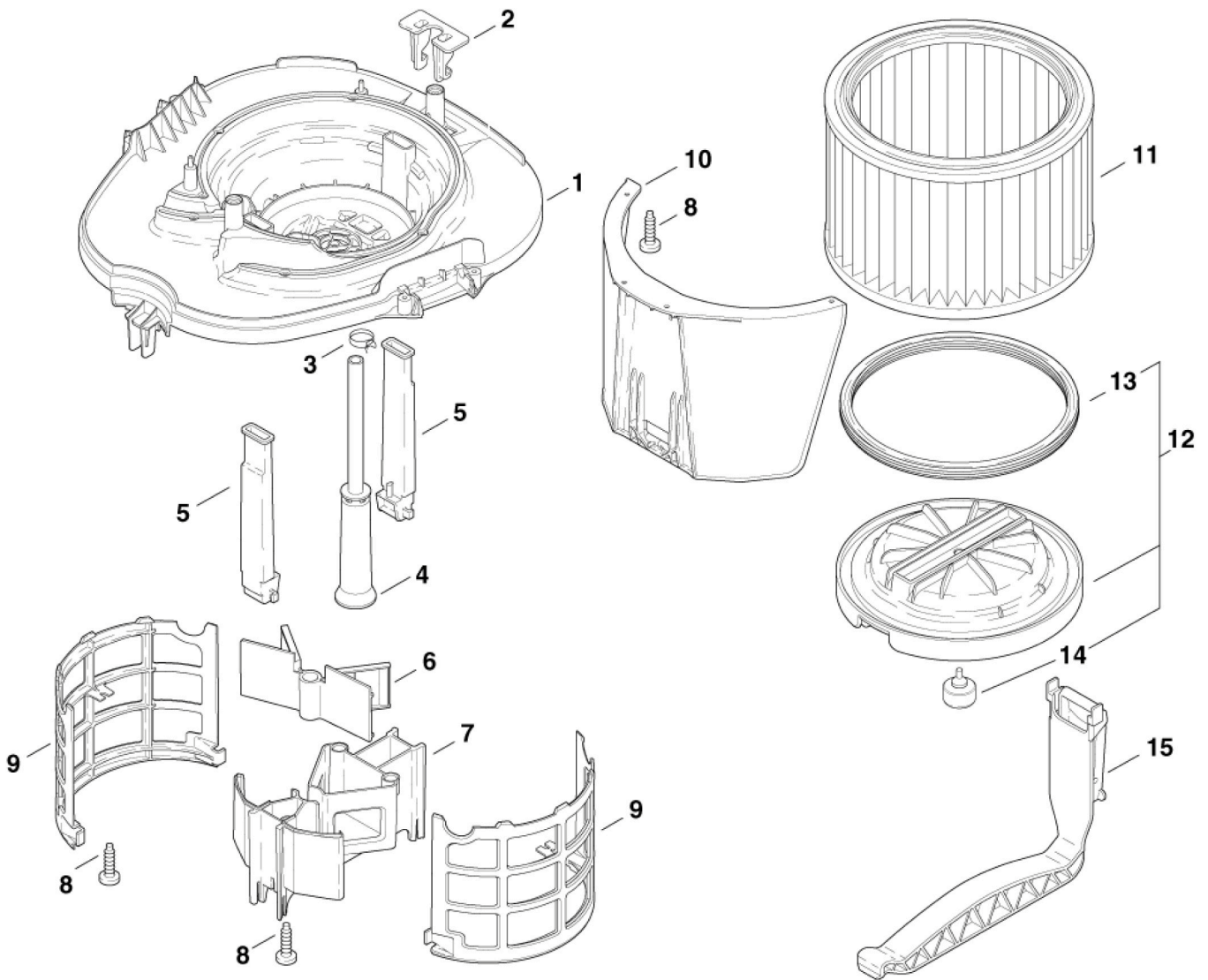
# Bottom Motor Head Assembly

BDC1112

Pos	Part no.	Qty	Description	EAN
1	302000511	1	BASE	4005337021
2	302000637	1	GASKET FOR CONTAINER	4005337687
3	302000697	1	GASKET FILTER	4005337690
4	26784	1	ELECTRIC MOTOR 110 -120	110-120V/1200W 4005337267
4	49594	1	MOTOR 220V WAS 30756(SQ 4 50.55	220-240V/1200W 4005337495
4	62012	1	ELECTRIC MOTOR TURBO 230V	763-21 ED 4005337620
5	26774	1	CARBON BRUSHES ( PAIR OF )	FOR IDENTIF.LETTER "M" 4005337267
5	26775	1	CARBON BRUSHES	FOR IDENTIF.LETTER "L" 4005337267
5	49625	1	CARBON BRUSHES-PAIR	FOR IDENTIF.LETTER "C" 4005337496
6	28875	1	RING	FOR IDENTIF.LETTER "L"+"M" 4005337288
6	29205	1	SEAL	FOR IDENTIF.LETTER "L"+"M" 4005337292
6	42538	1	MOTOR BEARING RING SET	FOR IDENTIF. LETTER "C" 4005337425
6	61167	1	MOTOR BEARING RING SET	FOR IDENTIF. LETTER "C" 4005337611
7	302000381	1	SUPPORTING PLATE	4005337021
8	302000755	1	TERMINAL STRIP	4005337021
9	909100138	6	SCREW 5X20	4005337023
10	302000010	2	ELECTROMAGNET 24V	FOR 220-240V 4005337004
10	302000217	2	ELECTROMAGNET 12V	FOR 100-120V 4005337673
11	47036	1	SEALS WAS 11225	4005337470
12	302000373	1	AIR DUCT A TTIX 5	4005337674
13	302000388	1	FRAME-CLEANING 190X90X18	4005337020
14	11256	11	STEEL SCREW 35 X 18	4005337112
15	5697	1	COVER PLATE	4005337056
16	302000823	1	CONTACT SPRING 41,8X14 AS BR	*GB,230V* 4005337025
16	61174	1	EARTHING CABLE	4005337611
17	62359	2	GASKET Ø9XØ4X1	4005337623

# Filter, Cleaning System

BDC1112



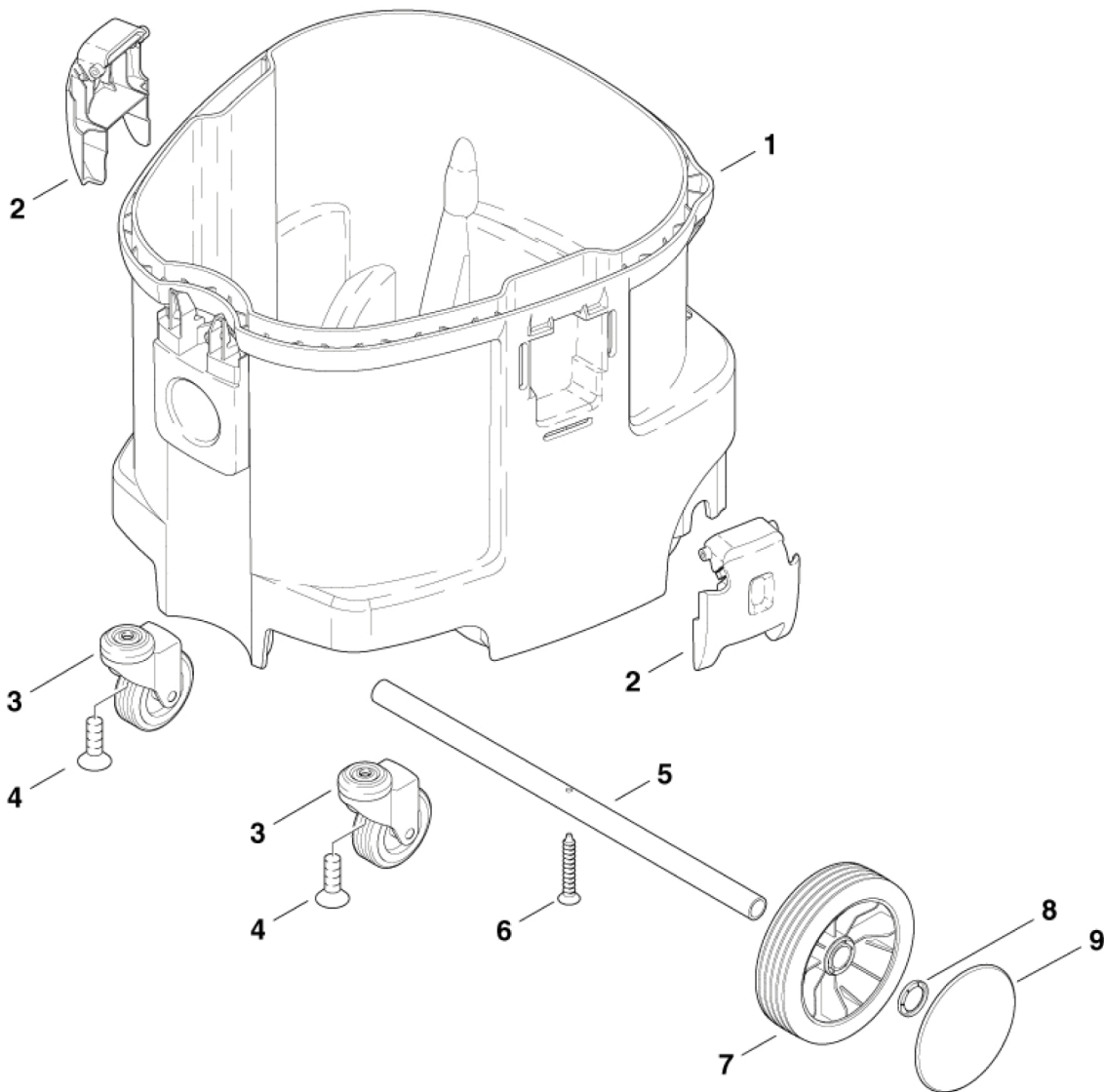
# Filter, Cleaning System

## BDC1112

Pos	Part no.	Qty	Description	EAN
1	302000511	1	BASE	4005337021
2	302000512	1	FIXATION 72X32X52	4005337020
3	909100137	1	BAND CLAMP FITTING 19	4005337021
4	303000516	1	HOSE Ø40X350 560-21XC, 560-31XC, 12GALL.RDFD., 12GALL.AS/PE	4005337023
5	302000514	2	GASKET	4005337023
6	302000387	1	FLAP 158X64X68	4005337020
7	302000386	1	COVER 211X151X118	4005337021
8	909100138	9	SCREW 5X20	4005337023
9	302000385	2	FILTER SUPPORT CAGE 216X 93X177	4005337020
10	302000383	1	DEFLECTOR 318X180X212	4005337020
11	302000751	1	FILTER ELEMENT 275X182 K IT	4005337020
12	302000844	1	FILTER SURFACE PLATE	4005337027
13	302000697	1	GASKET FILTER	4005337690
14	302000515	1	PLUG Ø 33X37	4005337023
15	302000702	1	TENSION JACK "M"	4005337020

# Container

BDC1112





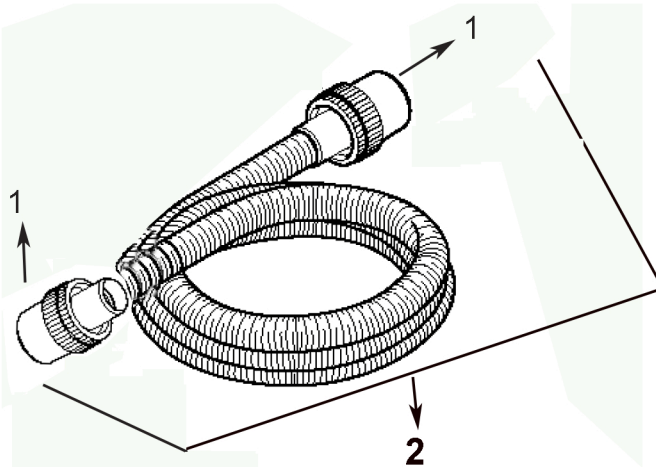
# Container

BDC1112

Pos	Part no.	Qty	Description	EAN
1	302000696	1	CONTAINER	4005337690
2	302000349	2	LOCKING CLAMP	4005337674
3	302000682	2	CASTER	4005337690
4	909100164	2	COUNTERSUNK SCREW M8X25	4005337036
5	302000636	1	AXLE	4005337687
6	909100085	1	SCREW 5X35	4005337679
7	302000639	2	WHEEL	4005337687
8	47302	2	RING	4005337473
9	302001322	2	HUB CAP	4005337690

# Accessories

BDC1112



Pos	Part No.	Qty	Description	EAN
1	15102	2	Hose Sleeve-Fits Hose 36MM	4005337151
2	107400017	1	Complete Suction Hose DN 36 MM LT 4M	4005337158